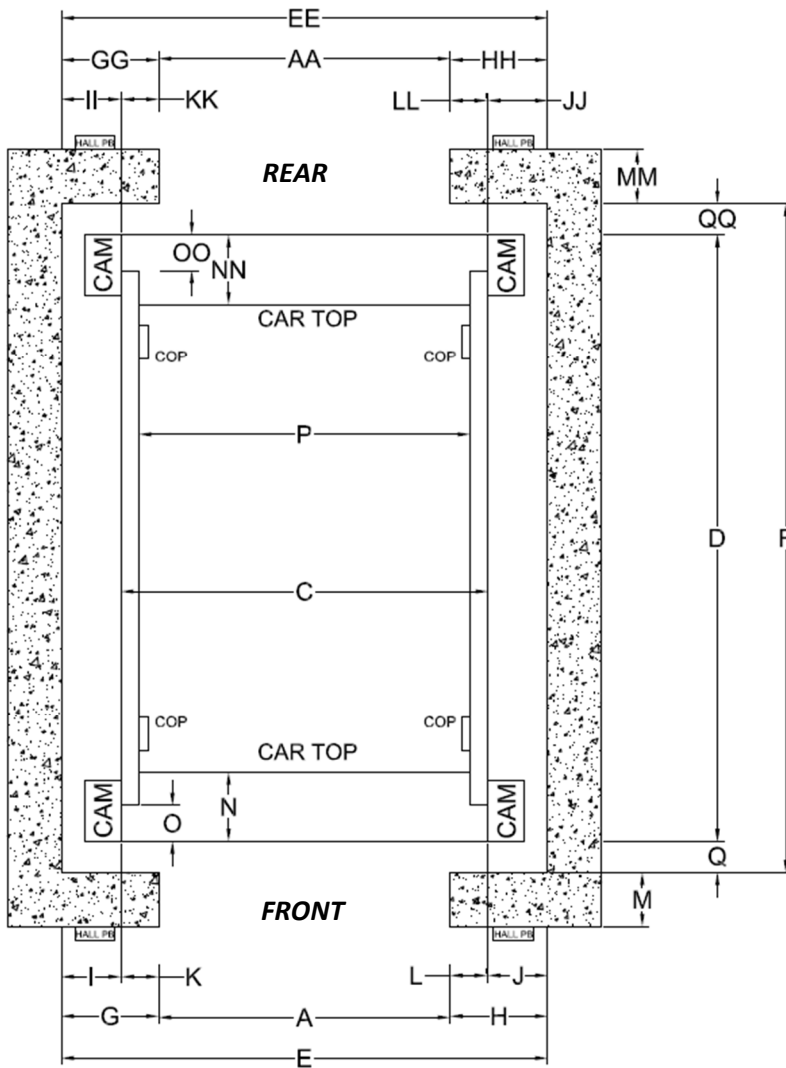




FREIGHT ELEVATOR FIELD SURVEY FORM

JOB NAME:		SITE LOCATION:	
COMPANY:		EMAIL:	
CONTACT:		PHONE:	

OPERATION:	Power	Manual	LOADING CLASS:	NEMA RATING:
TYPE:	Hydraulic	Traction	CODE YEAR:	VOLTAGE:
CAPACITY:	lbs		EXISTING EQUIP (IF APPLICABLE):	



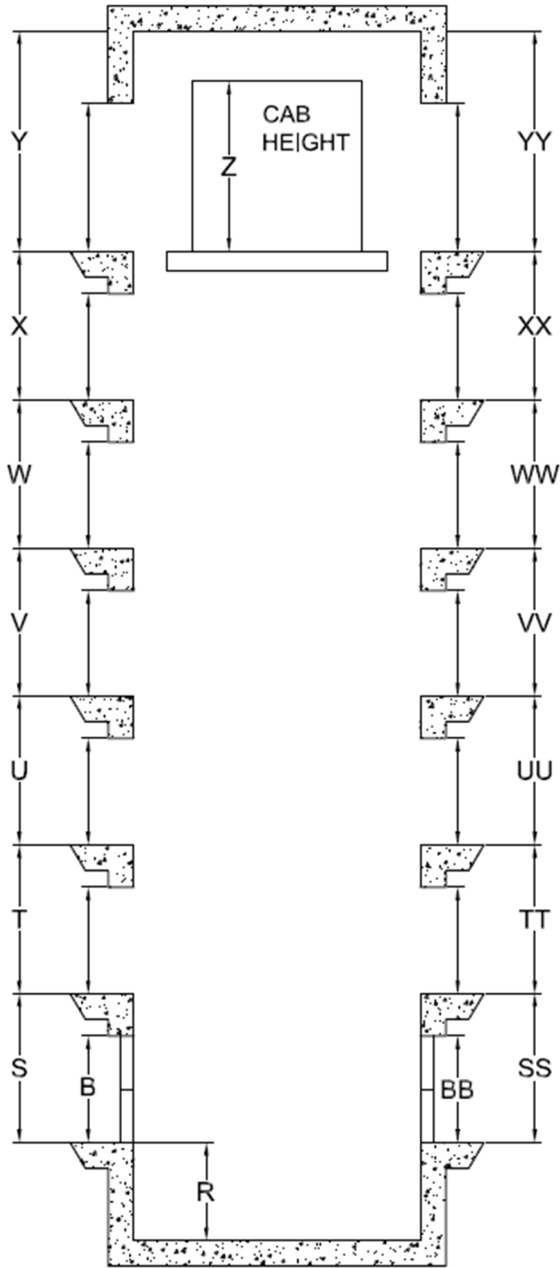
Dim	Description	Value
A	Front Door Opening Width	
B	Front Door Opening Height	
C	Platform Width	
D	Platform Depth	
E	Front Hoistway Width	
F	Hoistway Depth	
G	Front RH Jamb to Wall	
H	Front LH Jamb to Wall	
I	Front RH Platform to Wall	
J	Front LH Platform to Wall	
K	Front RH Platform Lap	
L	Front LH Platform Lap	
M	Front Wall Thickness	
N	Platform Edge to Car Top	
O	Platform Edge to Corner Angle	
P	Clear Inside Car	
Q	Front Car to Frame	

If Rear Opening

Dim	Description	Value
AA	Rear Door Opening Width	
BB	Rear Door Opening Height	
EE	Rear Hoistway Width	
GG	Rear LH Jamb to Wall	
HH	Rear RH Jamb to Wall	
II	Rear LH Platform to Wall	
JJ	Rear RH Platform to Wall	
KK	Rear LH Platform Lap	
LL	Rear RH Platform Lap	
MM	Rear Wall Thickness	
NN	Platform Edge to Car Top	
OO	Platform Edge to Corner Angle	
QQ	Rear Car to Frame	

NOTE: PLEASE SELECT Location of Cams, COP and Hall Station Buttons

See Reverse Side for Elevation dimensions



Dim	Description	Value
B	Front Door Opening Height	
R	Pit Depth	
S	Floor 1 Travel – Front	
T	Floor 2 Travel – Front	
U	Floor 3 Travel – Front	
V	Floor 4 Travel – Front	
W	Floor 5 Travel – Front	
X	Floor 6 Travel – Front	
	Total Travel Front	
Y	Overhead	
Z	Cab Height	

Total Number of FRONT Openings : _____

If Rear Opening

Dim	Description	Value
BB	Rear Door Opening Height	
SS	Floor 1 Travel – Rear	
TT	Floor 2 Travel – Rear	
UU	Floor 3 Travel – Rear	
VV	Floor 4 Travel – Rear	
WW	Floor 5 Travel – Rear	
XX	Floor 6 Travel – Rear	
	Total Travel Rear	
YY	Overhead (if different)	

Total Number of REAR Openings : _____

Note: *Verify all floor opening heights are identical. If not, please advise additional opening heights and landing*

Steel Jambs : Opening Height Only Extend Above Opening

Wall Construction : Masonry Concrete Drywall

Jamb Size : _____

Shaftside Flange : _____

Freight Cab Survey Form

Freight Cab Dimensions

Platform Width: _____

Platform Depth: _____

Cab Height: _____

NEMA Rating: _____

Freight Cab Options

Bumper Rails: *Please Select Items*

- 2 "x 12" Oak (nominal)
- 2" x 6" Oak (nominal)
- 6" Channel
- 6" Channel SS
- 1/4" x 8 Flat SS

Hand Rails: *Please Select Items*

- 2" SS
- 3" SS
- 4" SS

Wall Finish: *Please Select Items*

- EMS Grey Powder Coat Finish *(standard)*
- EMS Color Chart
- Powder Coat - Color Match
- #4 Stainless Steel
- #5WL Textured Stainless Steel

Specify if different: _____

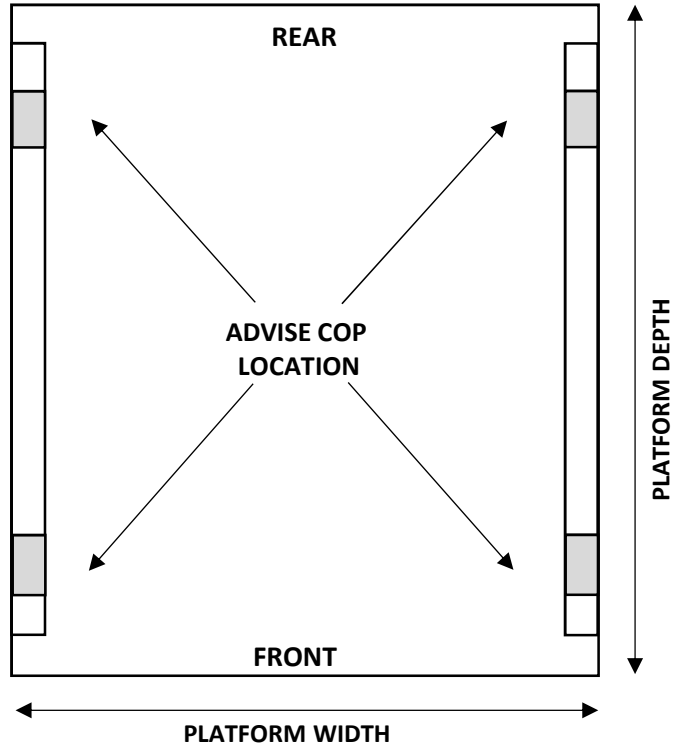
Ceiling Finish: *Please Select Items*

- EMS White Powder Coat Finish *(standard)*
- EMS Color Chart
- Powder Coat - Color Match
- #4 Stainless Steel
- #5WL Textured Stainless Steel

Specify if different: _____

Additional Items: *Please Select Items*

- 2 Speed Fan
- Top of Car Handrail
- Emergency Lighting
- Sound Deadening
- Protective Pads



Material Gauge:

- 14 ga *(standard)*
- 12 ga
- 10 ga

Material Gauge:

- 14 ga *(standard)*
- 12 ga
- 10 ga